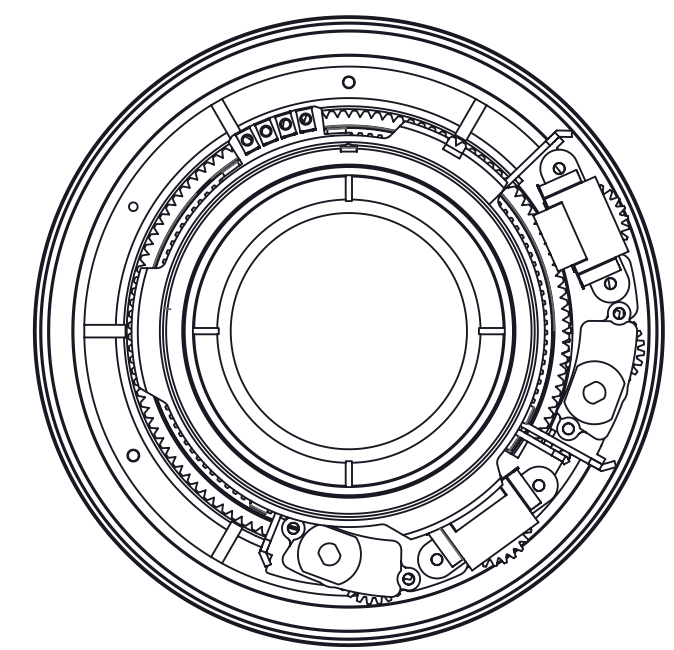
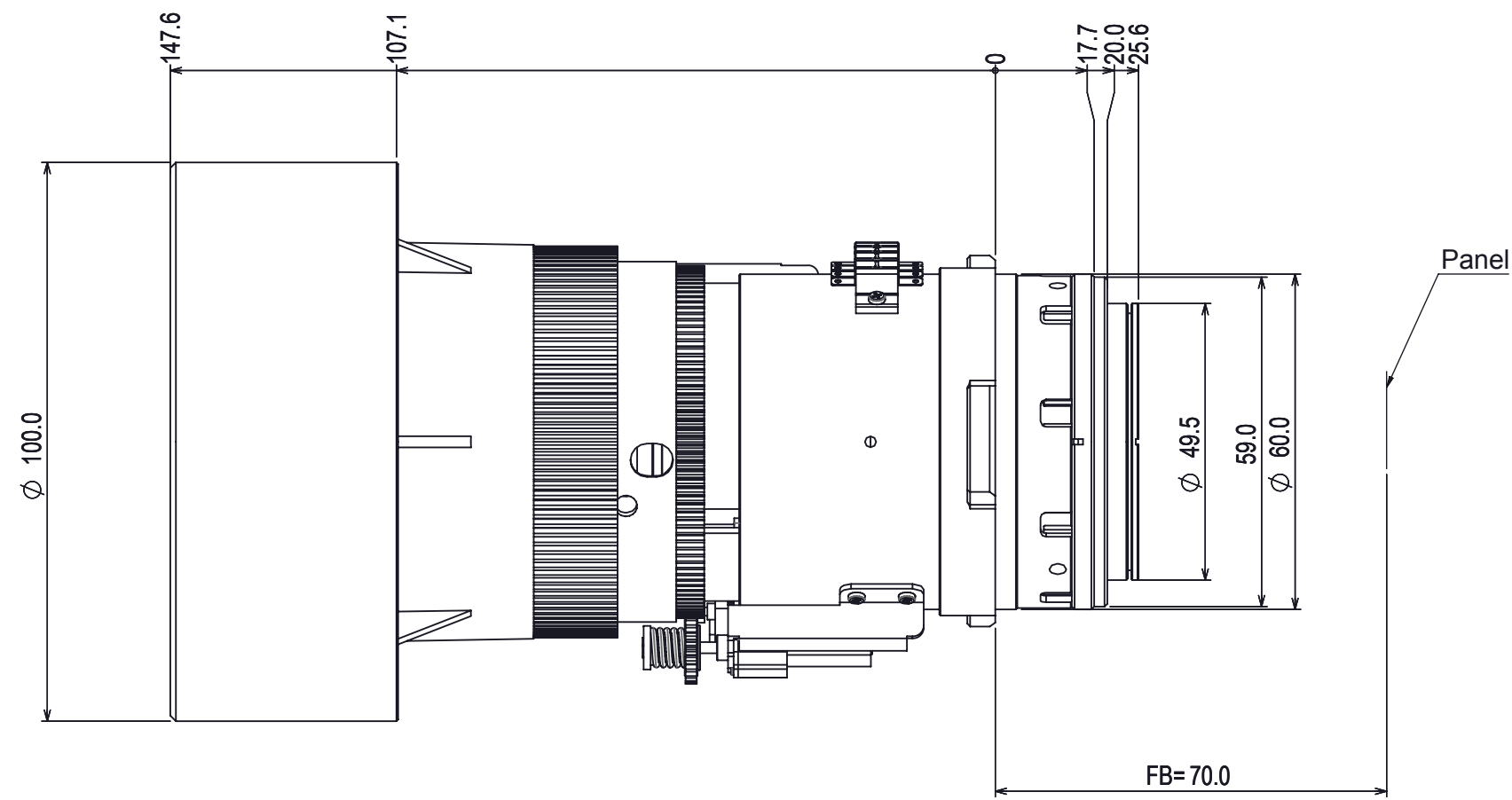
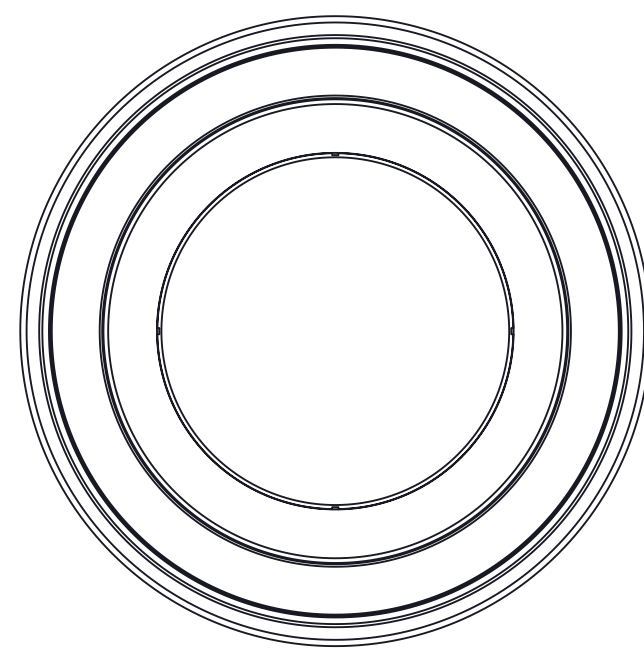
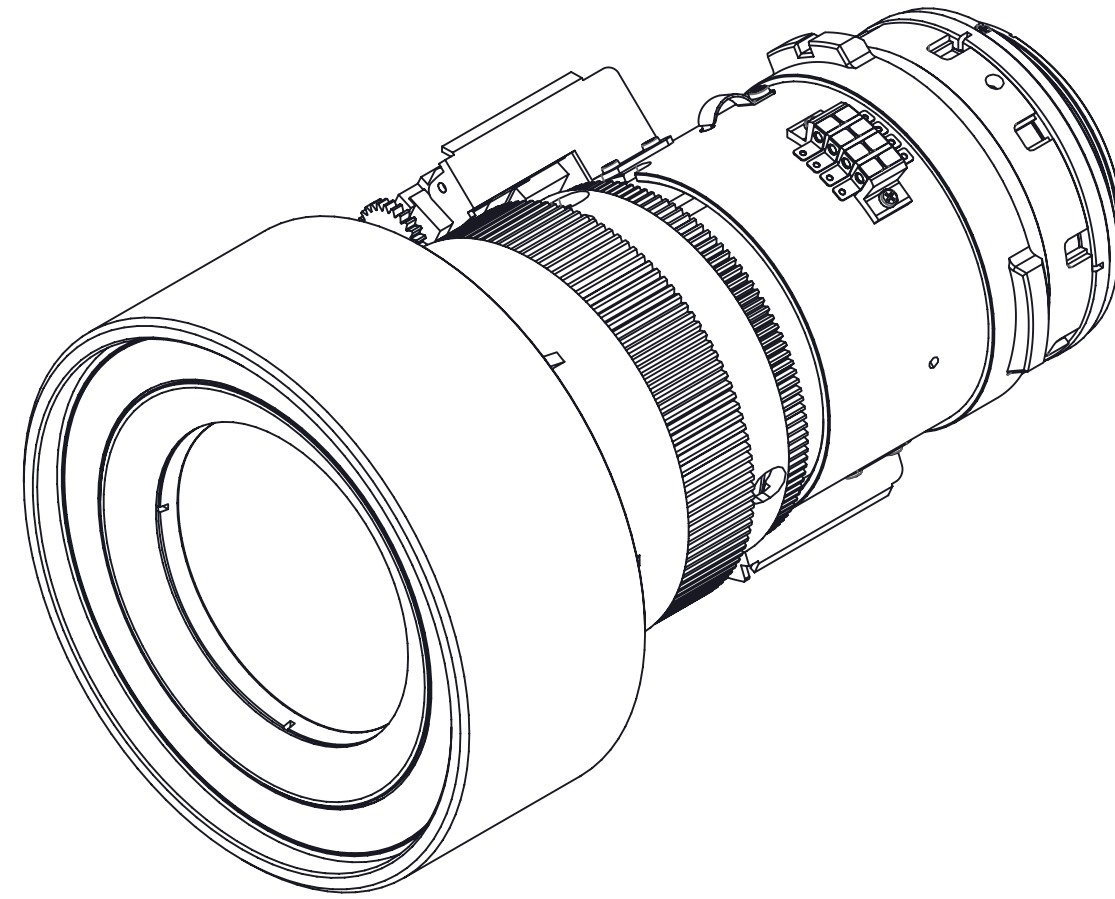


IF IN DOUBT, ASK.

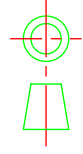


THROW RATIO	
WUXGA	UHD 4K
3.58-5.38:1	3.54-5.36:1

A2 DRG. No.

PROPRIETARY INFORMATION
This document contains proprietary information which is loaned to you in confidence for a specific purpose. It shall not be reproduced, stored in a retrieval system, or transmitted in any form or by any means, electronic, mechanical, photocopying, recording, or by any information storage and retrieval system, without the prior written permission of Digital Projection Ltd. It shall be returned immediately upon request.

DRAWN BS 308
3rd Angle Projection



Distribution Code

PRE REVS	ITEM	DESCRIPTION	REFER TO	No OFF	REMARKS
	7				
	6				
	5				
	4				
	3				
	2				
	1				

MATERIAL	
CODE	
FINISH	

CAD GENERATED DRAWING DO NOT MAKE MANUAL CHANGES
LAST CHANGE

TOLERANCES UNLESS OTHERWISE STATED
METRIC: 1.000 ±0.01 1.00 ±0.1 1.0 ±0.2 1 ±0.4
IMPERIAL: Fractional ±1/64" Decimal ± 0.005"
ANGLES ± 0° 30'

Unless Otherwise Stated	DIMENSIONS IN MILLIMETRES
REMOVE ALL BURRS & SHARP EDGES. DO NOT SCALE DRAWING THE SURFACE TEXTURE ROUGHNESS NUMBER OF MACHINED SURFACES SHOULD BE EQUAL TO OR LESS THAN 0.8um (N6 CLA32)	
REV.	A
NOTE	
DRAWN	jcharnley
APP.DO.	
DATE	30-11-17

FIRST USED ON	
ORIGINAL SCALE	1:1.2
DRAWN	jcharnley
APP.ENG.	
DATE	23-11-17

MIDDLETON M24 1XX	
TITLE	LENS, H6 LZM1, F1.85-2.41

COMPONENT OR DRG.No.	112-503
A2-SHEET	1 OF 1