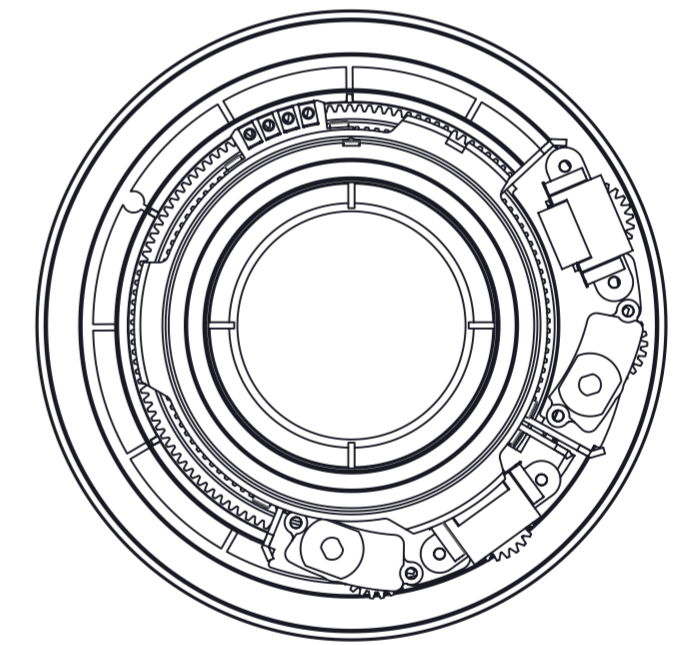
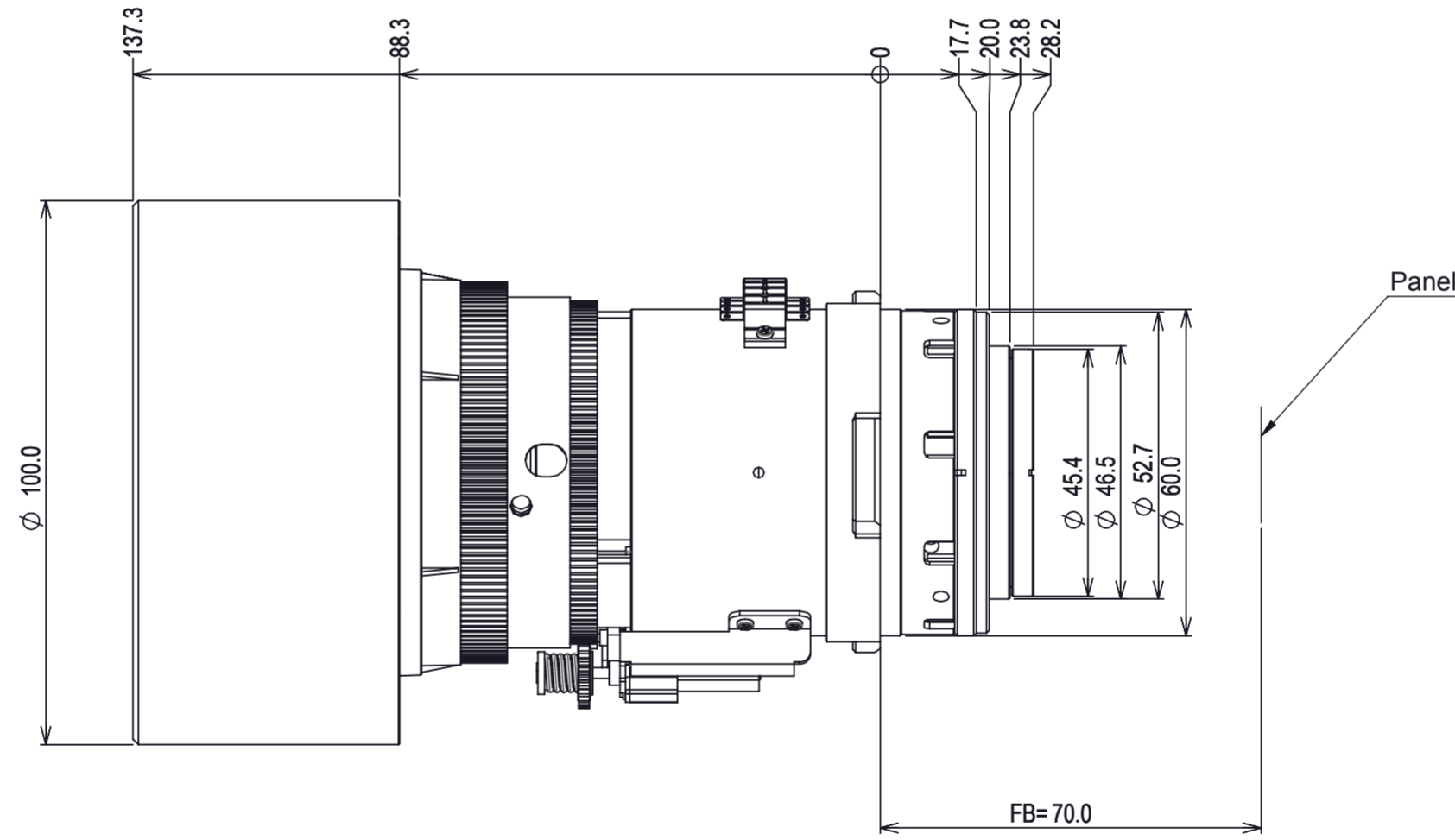
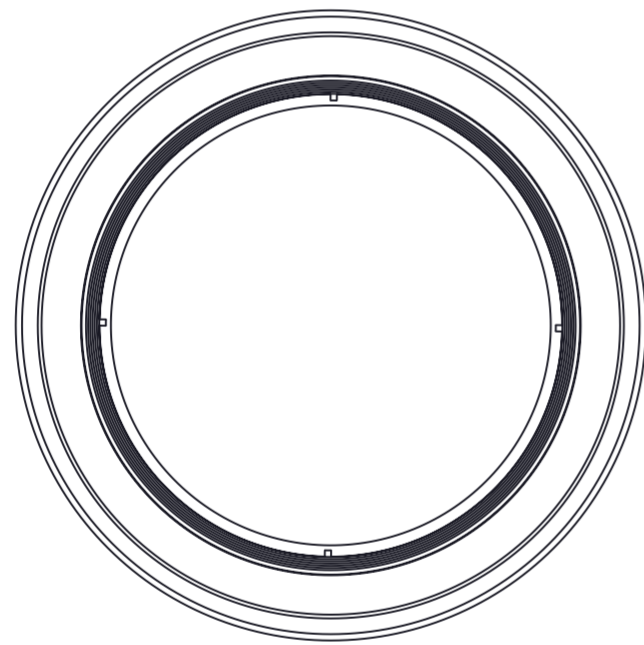
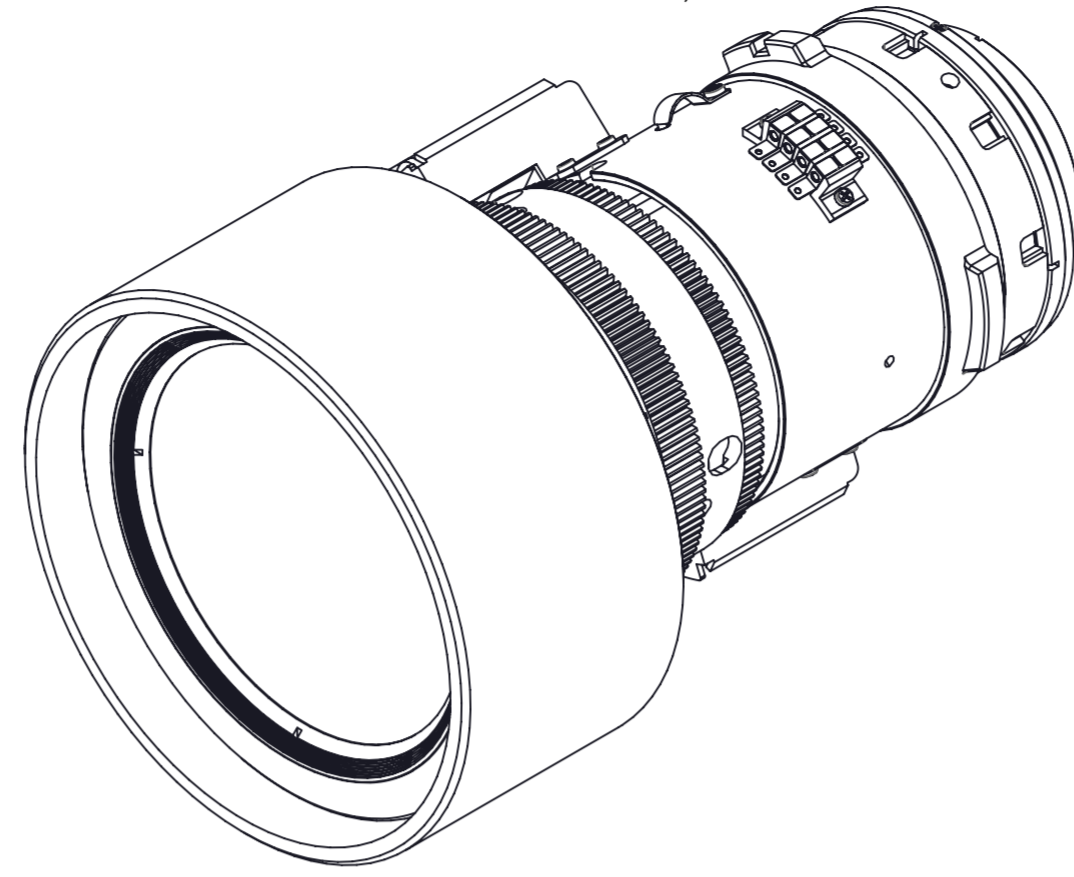


IF IN DOUBT, ASK.



THROW RATIO	
WUXGA	UHD 4K
1.25-1.79:1	1.24-1.78:1

A2 DRG. No.

**PROPRIETARY INFORMATION**  
This document contains proprietary information which is loaned to you in confidence for a specific purpose. It shall not be reproduced, stored in a retrieval system, or transmitted in any form or by any means, electronic, mechanical, photocopying, recording, or otherwise, without the prior written permission of Digital Projection Ltd. It shall be returned immediately upon request.

DRAWN BS 308  
3rd Angle Projection

Distribution Code

PRE REVS	ITEM	DESCRIPTION	REFER TO	No OFF	REMARKS
	7				
	6				
	5				
	4				
	3				
	2				
	1				

MATERIAL	
CODE	
FINISH	

CAD GENERATED DRAWING  
DO NOT MAKE MANUAL CHANGES

LAST CHANGE

TOLERANCES UNLESS OTHERWISE STATED	Unless Otherwise Stated	DIMENSIONS IN MILLIMETRES
METRIC: 1.000 ±0.01 1.00 ±0.1 1.0 ±0.2 1 ±0.4	REMOVE ALL BURRS & SHARP EDGES. DO NOT SCALE DRAWING THE SURFACE TEXTURE ROUGHNESS NUMBER OF MACHINED SURFACES SHOULD BE EQUAL TO OR LESS THAN 0.8um (N6 CLA32)	FIRST USED ON
IMPERIAL: Fractional ±1/64" Decimal ± 0.005"	REV. <b>A</b>	ORIGINAL SCALE 1:1.2
ANGLES ± 0° 30'	NOTE	DRAWN jcharnley
	DRAWN jcharnley	APP.ENG.
	APP.DO.	DATE 23-11-17
	DATE 30-11-17	

		MIDDLETON M24 1XX
TITLE	COMPONENT OR DRG.No.	
LENS, H6 WIDE ZM, F1.85-2.5	112-500	
A2-SHEET	1 OF 1	