



OPEN DMX USB

GENERAL INFORMATION

The OPEN DMX USB is a no-frills, inexpensive way to get into the world of controlling DMX devices from a PC. It relies on the computer for all calculations and timing of the DMX signal, so it may not be ideal for many medium to heavy demand applications. It is however, suitable for use for project work, as a diagnostic tool, for small live music and amateur theatre applications.

APPLICATIONS

- HOBBYISTS
- STUDENTS
- COMMUNITY THEATRE
- DJS

FEATURES

- Our smallest product in physical dimensions, (not much bigger than a matchbox) it's extremely portable and convenient to just slip into a computer bag
- Power provided over USB from computer
- Standard 5pin DMX port (output only)
- Control up to 512 channels (software permitting)
- Includes USB cable and driver CD.

- Supported by commercial, shareware, and freeware programs, like: [FreeStyler](#); [Shmithz's DMX USB](#); [Open DMX Theatre](#); [DMXDesk 9](#); [MasterPeace](#); [Manolator](#); [StageConsole](#); [Magic Q](#); [Office Wing 1.0](#); [Softnode](#); [Capture Visualiser](#); [Pure Data Plugin](#); [STL-DMX](#); [Arkaos VJ](#); [DMX 4 Linux](#); [DMXControl](#); [Lights UP](#); [PureDada](#); [Schwartzpeter](#) and [Illumination 110](#)

ACCESSORIES

- Also available as part of the LightFactory Starter Kit, with a 36 channel license of LightFactory. See the Enttec website for details

ORDERING INFORMATION

Part Number	Description
#70303	OPEN DMX USB

OPTIONS

Part Number	Description
#70029	3-pin to 5-pin Adapter

SPARE PARTS

Part Number	Description
#79110	Replacement USB Cable

GENERAL SPECIFICATIONS

Power Requirements	300mA supplied by USB
Weight	0.44 LBS / 0.2 KG
Shipped Weight	0.66 LBS / 0.3 KG
Width	2.48" / 63MM
Height	1.58" / 40MM
Depth	1.73" / 44MM
Operating Environment	0°-50°C in non-condensing environment

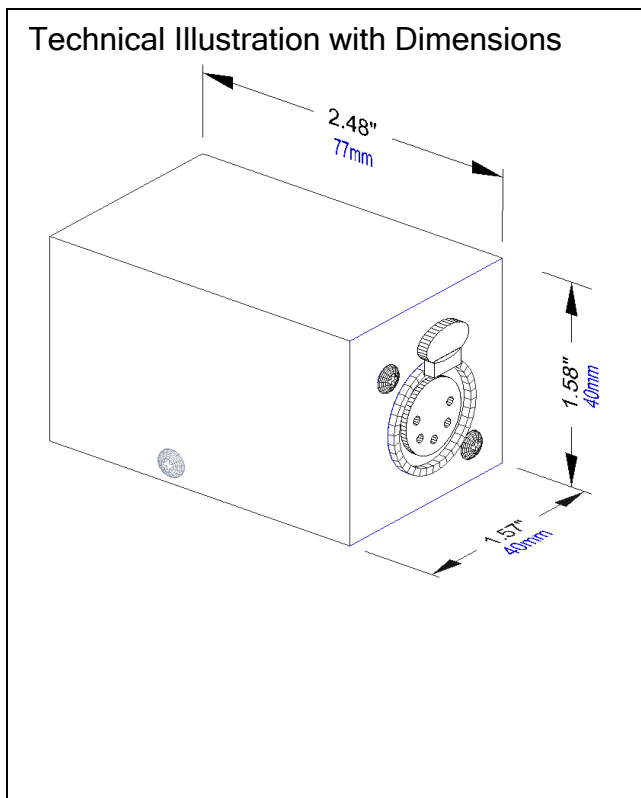
ENTTEC Main HQ
P.O. Box 282
Kew, Vic 3101
Australia
+61 3 9819 2433 Tel
+61 3 9819 2733 Fax

ENTTEC USA
SHIPPING AND BILLING
500-A Bynum Road
Forest Hill, MD

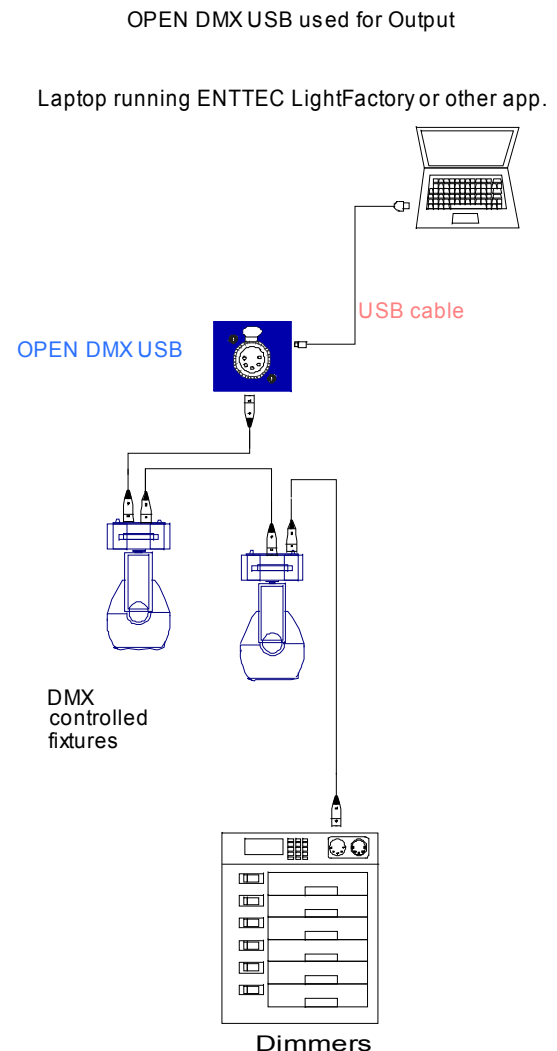
ENTTEC USA
SALES AND INFO
sales@enttec.com
888 454-5922 Tel.
888 454-5922 Fax

FUNCTIONAL SPECIFICATIONS

- USB port works with USB 1.1 or 2.0
- Drivers included for Windows 98, 2000, XP and Vista
- DMX signal timing reliant upon host computer, making this device impractical for professional applications where dropped frames are unacceptable (use the DMX USB Pro instead)
- Schematic available through G.P.L.
- CE, FCC certified



Wiring Diagram (Riser)



ENTTEC Main HQ
P.O. Box 282
Kew, Vic 3101
Australia
+61 3 9819 2433 Tel
+61 3 9819 2733 Fax

ENTTEC USA
SHIPPING AND BILLING
500-A Bynum Road
Forest Hill, MD

ENTTEC USA
SALES AND INFO
sales@enttec.com
888 454-5922 Tel.
888 454-5922 Fax