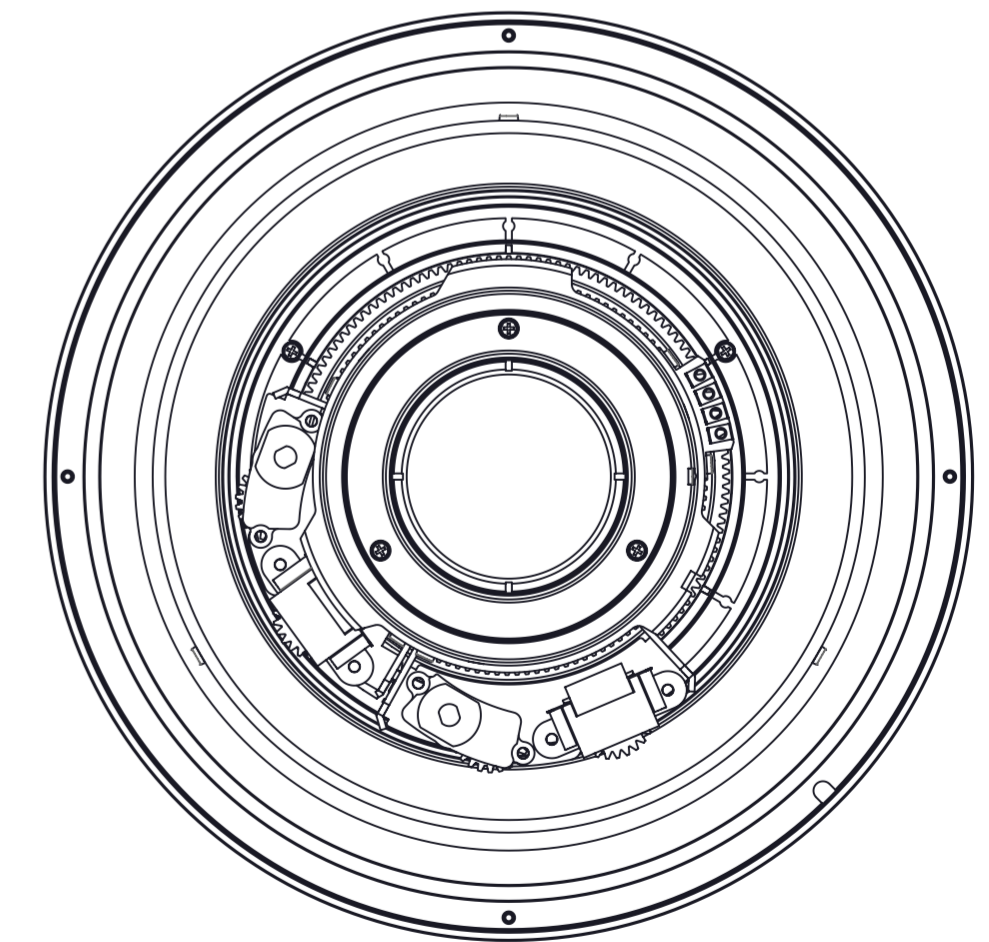
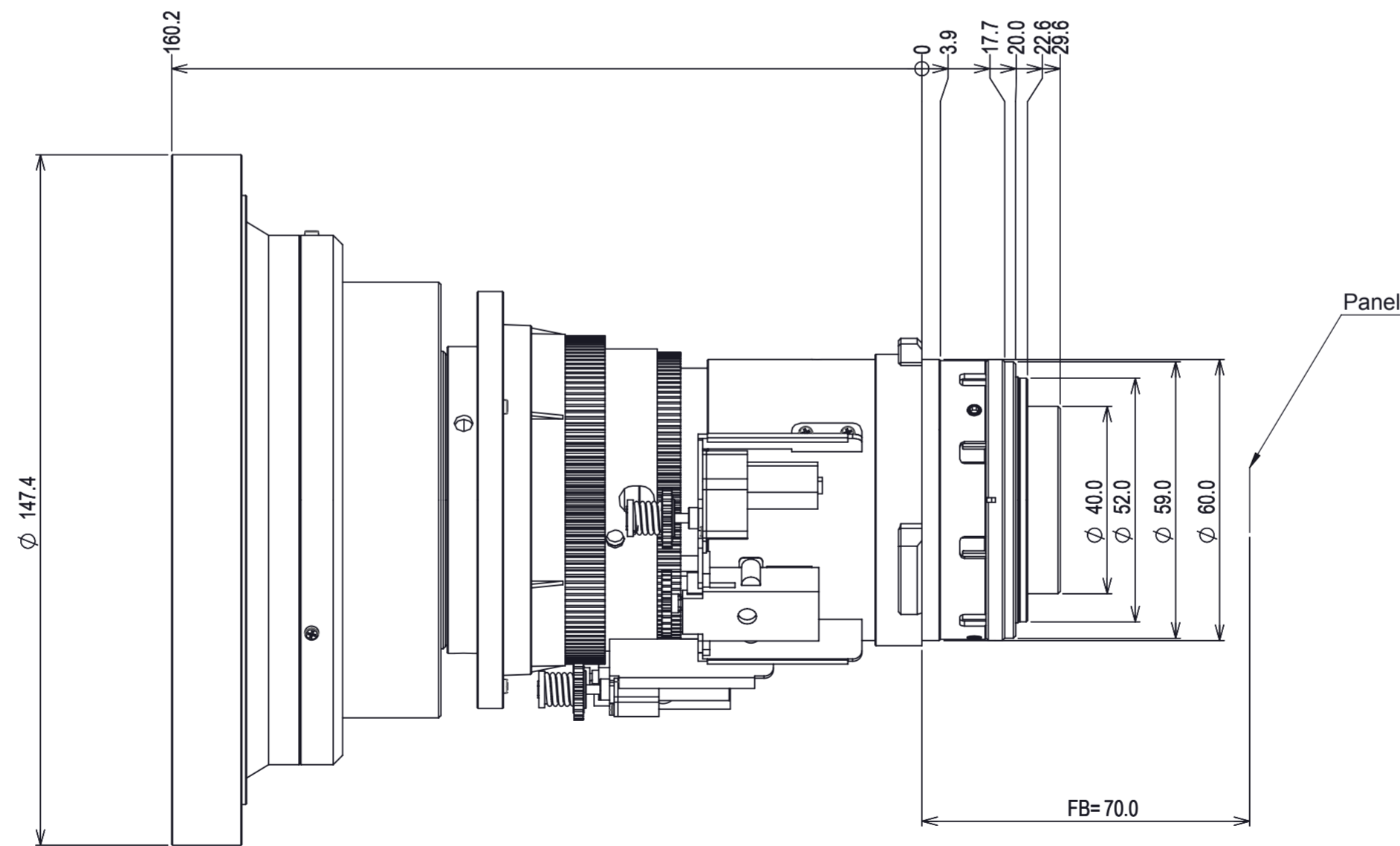
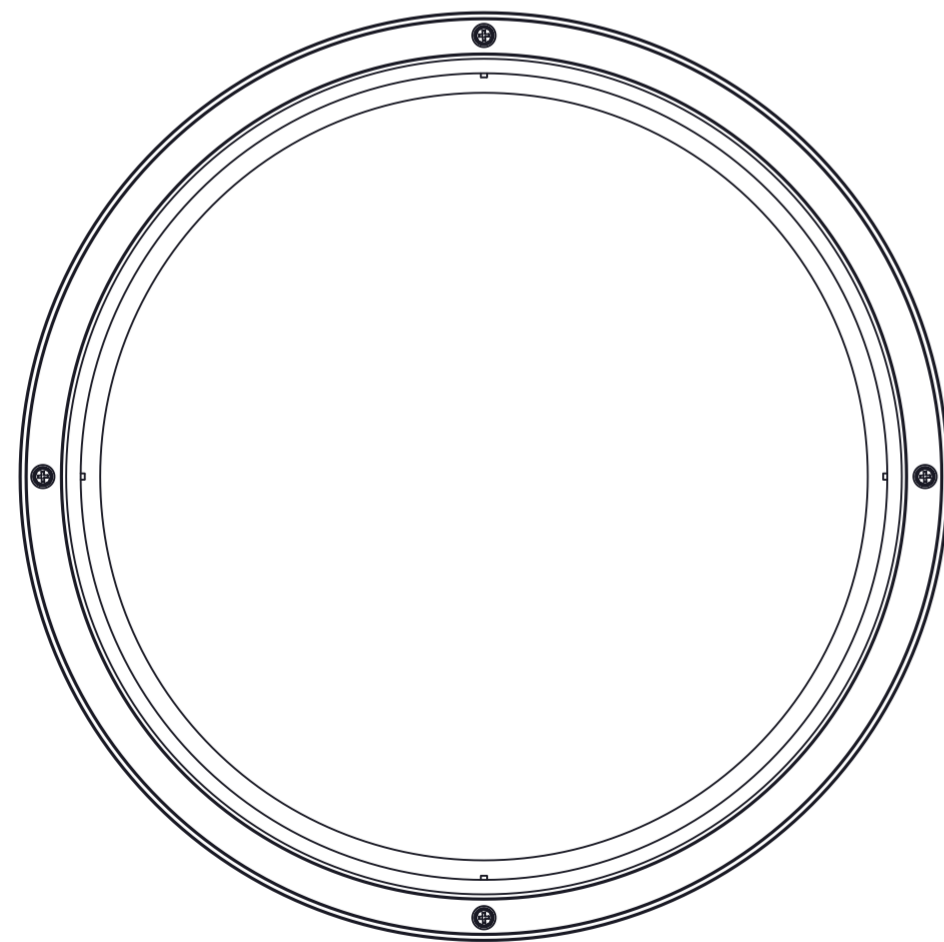
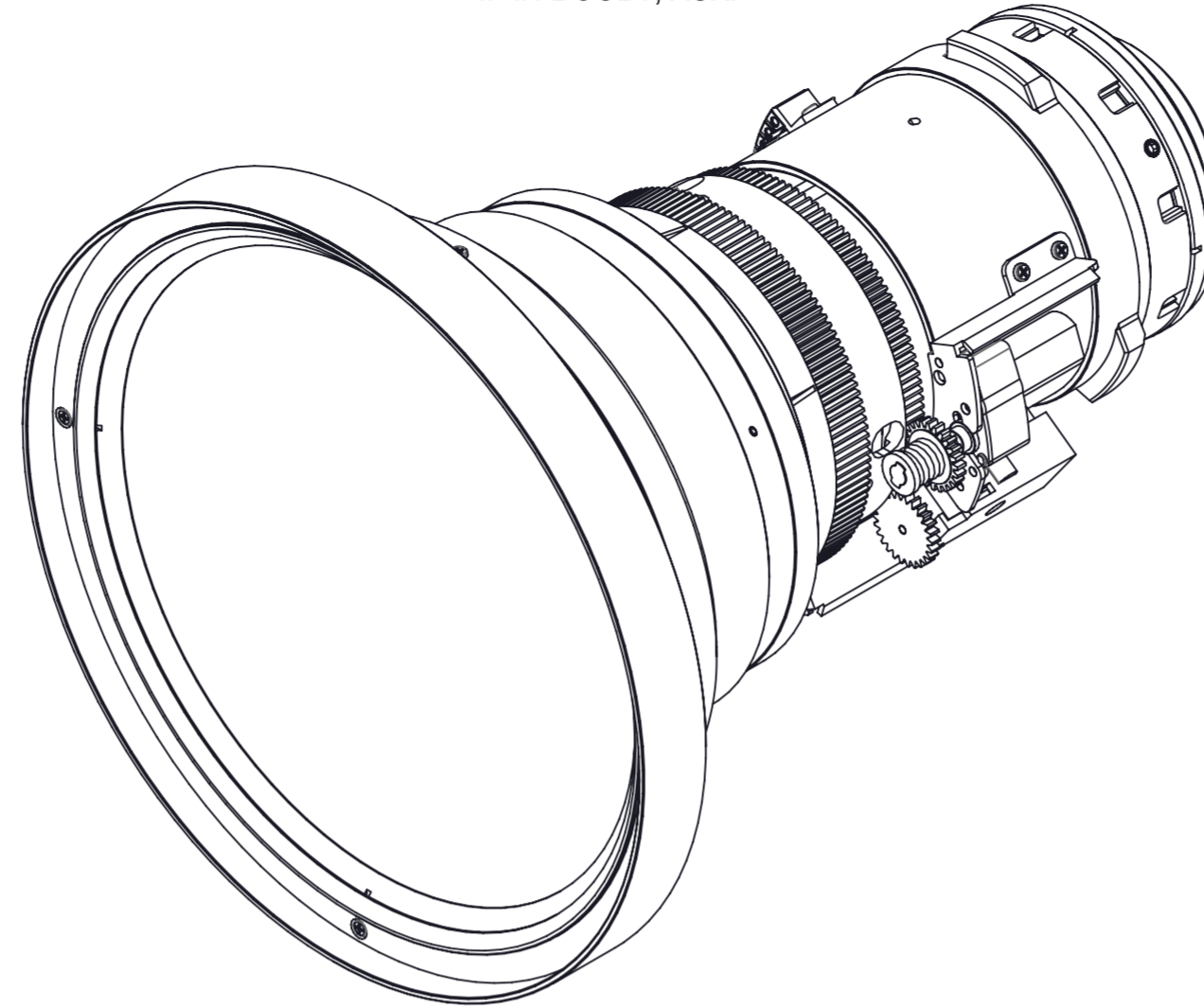


1 2 3 4 5 6 7 8 9

IF IN DOUBT, ASK.

THROW RATIO	
WUXGA	UHD 4K
0.75-0.93:1	0.74-0.93:1



A2 DRG. No.
PROPRIETARY INFORMATION This document contains proprietary information which is loaned to you in confidence for a specific purpose. It shall not be reproduced or transferred to other documents or used for any other purpose without the prior written permission of Digital Projection Ltd. It shall be returned immediately upon request.
DRAWN BS 308 3rd Angle Projection
Distribution Code
PRE REVS
ITEM

7				
6				
5				
4				
3				
2				
1				
DESCRIPTION	REFER TO	No OFF	REMARKS	

MATERIAL
CODE
FINISH

CAD GENERATED DRAWING DO NOT MAKE MANUAL CHANGES
LAST CHANGE

TOLERANCES UNLESS OTHERWISE STATED	Unless Otherwise Stated	DIMENSIONS IN MILLIMETRES
METRIC: 1.000 ±0.01 1.00 ±0.1 1.0 ±0.2 1 ±0.4	REMOVE ALL BURRS & SHARP EDGES. DO NOT SCALE DRAWING THE SURFACE TEXTURE ROUGHNESS NUMBER OF MACHINED SURFACES SHOULD BE EQUAL TO OR LESS THAN 0.8um (N6 CLA32)	FIRST USED ON
IMPERIAL: Fractional ±1/64" Decimal ± 0.005"	REV. A	ORIGINAL SCALE 1:1.2
ANGLES ± 0° 30'	NOTE jcharnley	DRAWN jcharnley
	APP.DO.	DATE 23-11-17

DIGITAL PROJECTION	MIDDLETON M24 1XX
TITLE	COMPONENT OR DRG.No.
LENS, ULTRA WIDE ZM, F1.96-2.3	115-339
A2-SHEET	1 OF 1