



# Datasheet

# AX9 POWER | PAR



The AX9 utilizes the AX5's successful 3-in-1 concept which allows it to be used as wireless light and elegant upright as well as a wired PAR light for longer or bigger installations. This makes it an extremely cost-efficient light and keeps your investment to a minimum. The AX9 packs extreme brightness in a compact and light housing while still giving you industry-leading colors and white tones thanks to its Titan LED Engine.

## SPECIFICATIONS



Max 20h



Wireless DMX



IP65



App

Order Code	AX9
LED Engine	Titan LED Engine
Colors	RGBMintAmber
Total LED Power	105W
LED Power Draw	70W
Light output – 2700K, 3200K, 5500K*	2497 lm / 3008 lm / 2891 lm
Emittance @2m – 2700K, 3200K, 5500K*	9700 lx / 9900 lx / 9600 lx
CRI(Ra)/TLCI 3200-6500k*	≥96
Beam Angle	13°
Strobe	0 - 25Hz
Pixel	1
Battery Lifetime	70 % after 300 cycles
Battery Runtime	up to 20 hours
Charging Time (nominal)	5 hours
AC Input	100-240 VAC, 50/60Hz, 2.3 A/115 VAC ~ 1.1 A/230 VAC 110 W
Wired DMX	Yes
CRMX Receiver	Built in
Wireless Frequencies	CRMX 2.4GHz, UHF, Bluetooth
Range	300 m / 330yds (3 m /3,3 yds Bluetooth)
Housing Material	Aluminium
IP Rating	IP65
Ambient Temperature	0°-40° C / 32°-104° F
Weight	5.66 kg / 12.5 lbs
Dimensions	175 x 222 x 256 mm / 6.9 x 8.7 x 10.1 in

\*Typical value

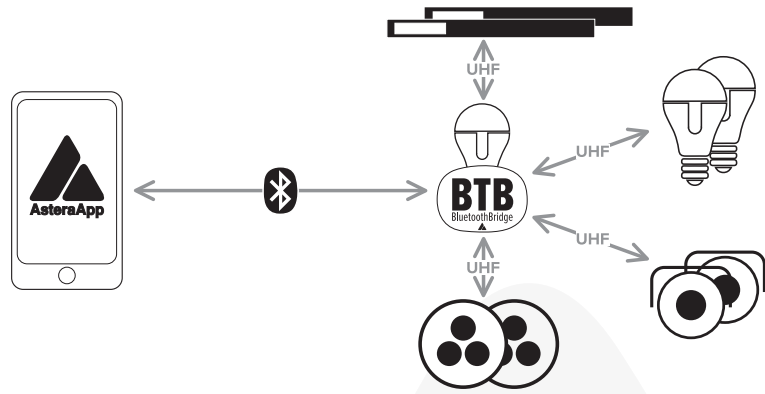
## RF CHARACTERISTICS

Wireless Modules	EU: UHF (863-870MHz)	USA: UHF (917-922.20MHz)	AUS: UHF (922.30-927.50MHz)	SGP: UHF (920.50-924.50MHz)
Modulation	FHSS	FHSS	FHSS	FHSS
ERP (Transmitter)	<25mW	<25mW	<25mW	<25mW
Channel Count	47	53	53	41

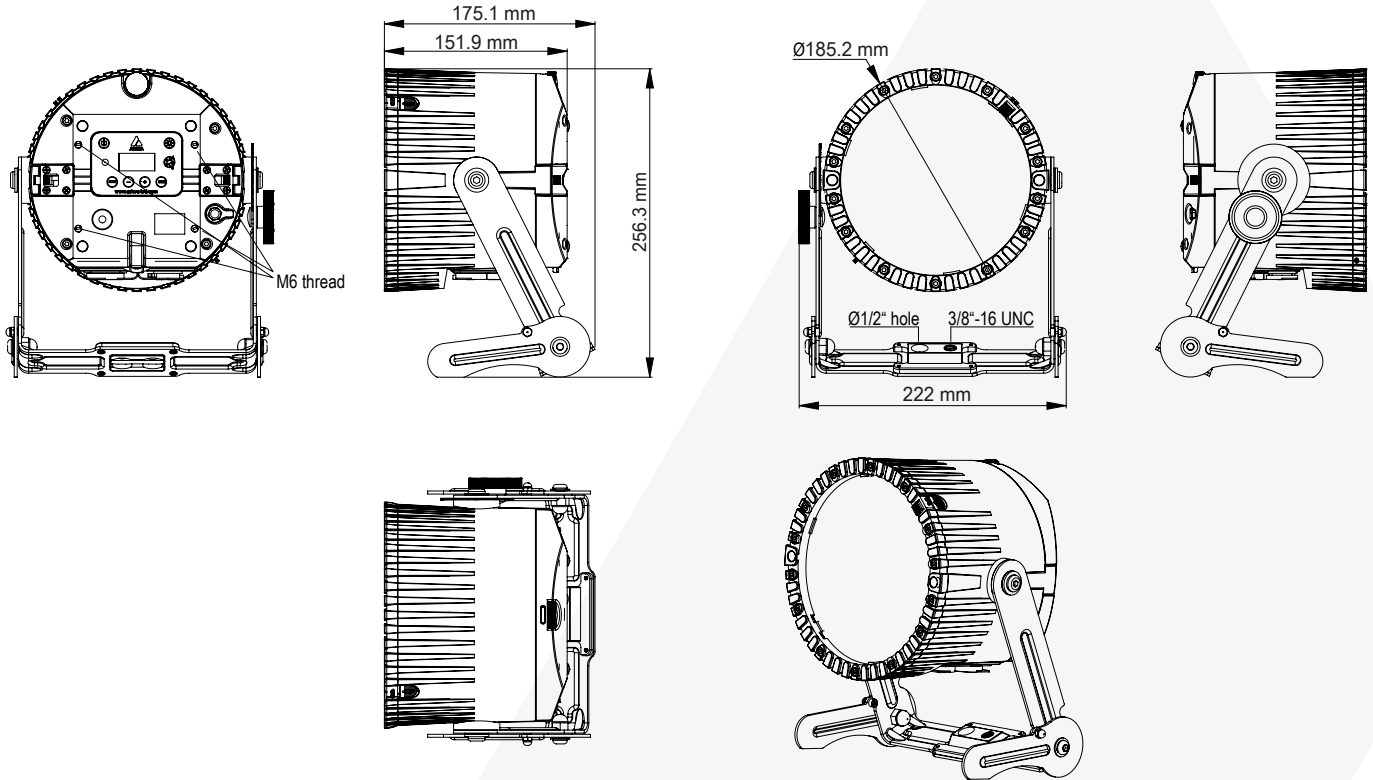
Wireless Modules	KOR: UHF (917.9-921.5MHz)	RUS: UHF (868.75-869.12MHz)	JPN: UHF (922.80-926.40MHz)	CRMX (2402-2480MHz)	Bluetooth 5.0 LE (2402-2480MHz)
Modulation	FHSS	FHSS	FHSS	FHSS	FHSS
ERP (Transmitter)	<25mW	<25mW	<25mW	-	10mW (BLE)
Channel Count	10	6	19	79	40

# AX9 as BluetoothBridge

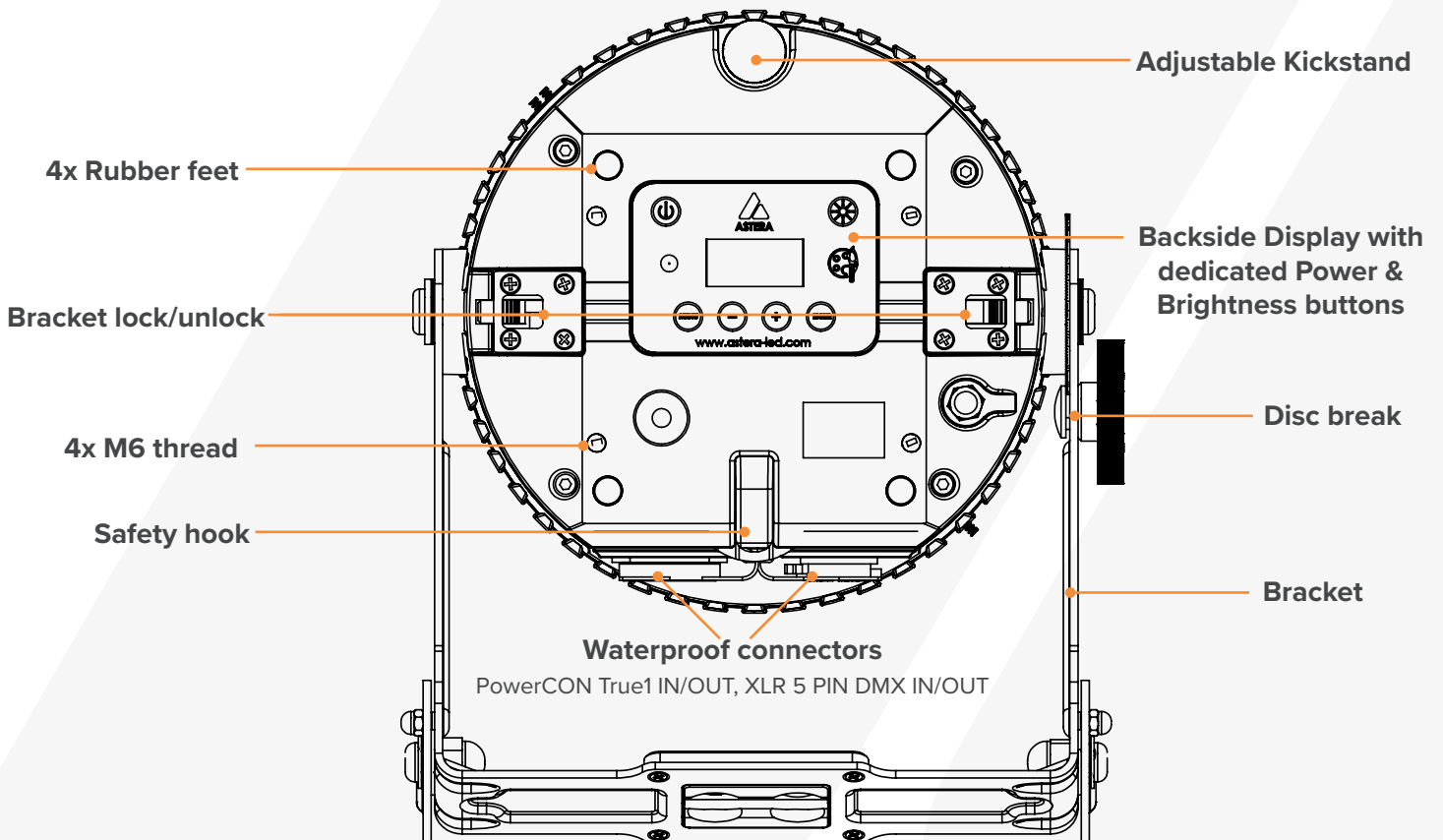
Connect directly to selected Astera lights via Bluetooth. This master light will revert AsteraApp commands to itself and other Astera lights via UHF band. Works as well with the Astera-Box.



## DRAWINGS



## BACKSIDE AND BRACKET



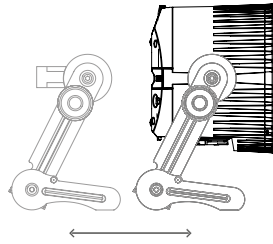
# ACCESSORIES

## AX9 Bracket AX9-STA

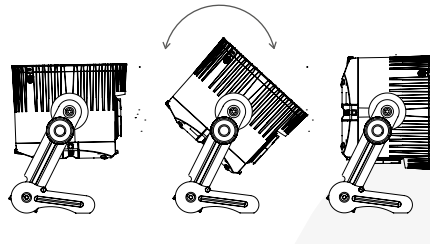
included

Dimensions (mm/inch):  
200 x 222 / 7.9 x 8.7  
Weight (g/lbs):  
808g / 1.8 lbs

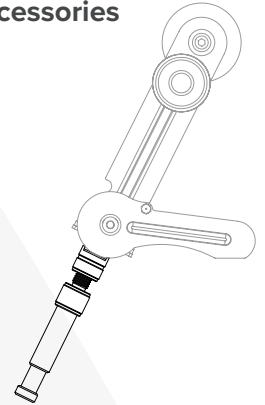
### Removeable



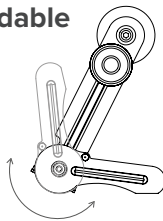
### Tiltable



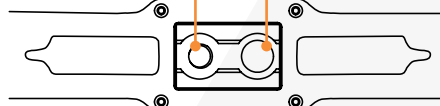
AirlineTrack on bottom  
for attaching mounting  
accessories



### Foldable



3/8"-16 UNC 1/2" hole



## Set of 8 FlexCovers Mirror or White

AX9-FLXCVR-MIR-8 / -WT-8



Dimensions (mm/inch):  
685 x 210 / 27 x 8.3  
Weight 1pc (g/lbs):  
64g / 0.14lbs

## AX9 wrapped with FlexCover



## EggCrate AX9-EGC



sample image

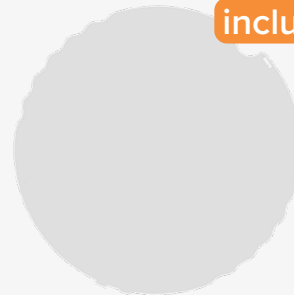
Dimensions (mm/inch):  
tba  
Weight (g/lbs):  
tba

## EggCrate on AX9 PowerPar



## Filters

included



**FloodFilter 32°**  
AX9-FF

included



**WallwashFilter 17°x46°**  
AX9-WWF

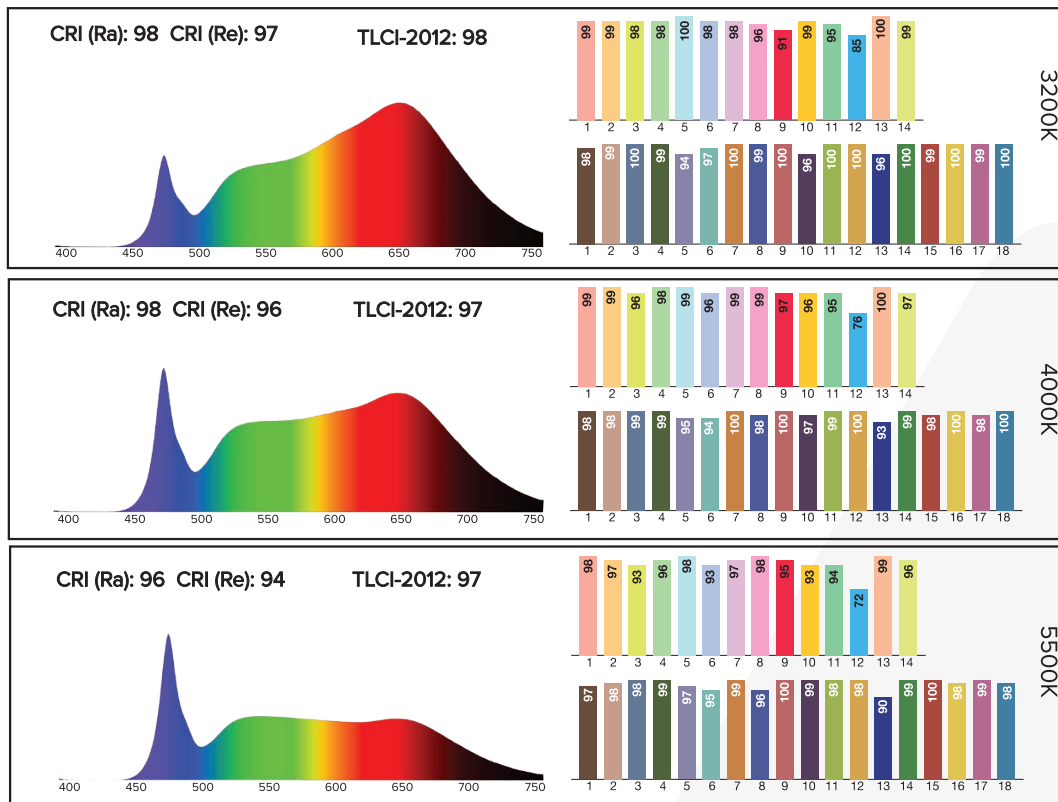
## TrackPin AX-TP



## BabyPin FP1-BLT



# TYPICAL SPECTRAS



Typical values